

ROCKBREAKER QUESTIONNAIRE

Name:	Phone:	Email:
Company:	Site:	Project:
Expected mine life:		

Material details

Material being handled?

Expected frequency and maximum expected lump size to be broken-in 3 planes?

Expected frequency and average expected lump size to be broken-in 3 planes?

Material UCS in MPa?

Boom system requirements

What is the application? (ie: sizer, gyratory crusher, grizzly, jaw crusher, etc)

What is the maximum required vertical reach?

What is the maximum required horizontal reach?

What is the maximum required horizontal reach with the hammer in a working position? (hammer vertical or at 15°)

What is the maximum slew angle required?

Are there any requirements to use the rockbreaker for other tasks? ie: Removal of gyratory crusher liners, scraping (scrapers), water washing (water canon), grapples.

Are there any specific control method requirements? (ie: teleoperation, anti-collision system, automation, etc)

General

What is the site voltage supply and frequency for low voltage motors?

What is the expected length of piping run and change in elevation between the power pack and boom system locations?

Does the design need to comply with any client specific standards or specifications? Yes No

Comments:

Please attach a sketch of the working area if available or complete the dimensions on the next page.

HEAD OFFICE
Western Australia
Local Call: 1300 127 091
International Call: +61 (0) 8 9270 8555
Email: wasales@transmin.com.au
Address: 33-37 Denninup Way Malaga
Perth, Western Australia, 6090

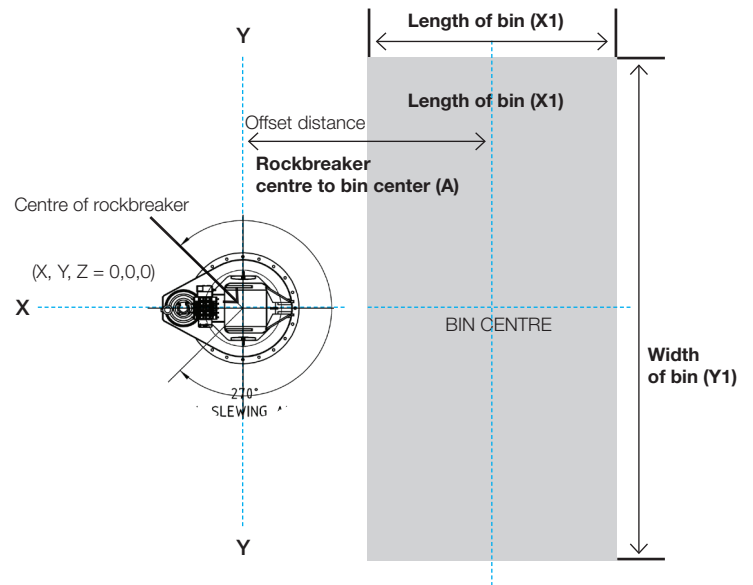
Queensland & Northern Territory
Local Call: 1300 800 609
International Call: +61 (0) 8 9270 8555
Email: qldsales@transmin.com.au

INTERNATIONAL OFFICES
South America Email: sales.sa@transmin.com.au
North America Email: sales.ca@transmin.com.au
India Email: sales.in@transmin.in

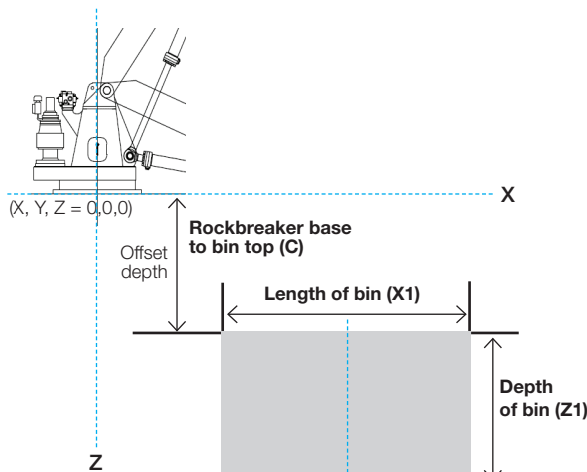
ROCKBREAKER QUESTIONNAIRE

X1	A	
Y1	+B	-B
Z1	C	
For Gyratory Crusher:		
Centre of gyratory crusher to centre of rockbreaker		
Inside diameter of gyratory crusher		
For Jaw Crusher:		
Centre of jaw crusher		
Inside dimensions of jaw crusher to centre of rockbreaker		
For grizzly:		
Distance from the top of the bin to the grizzly		

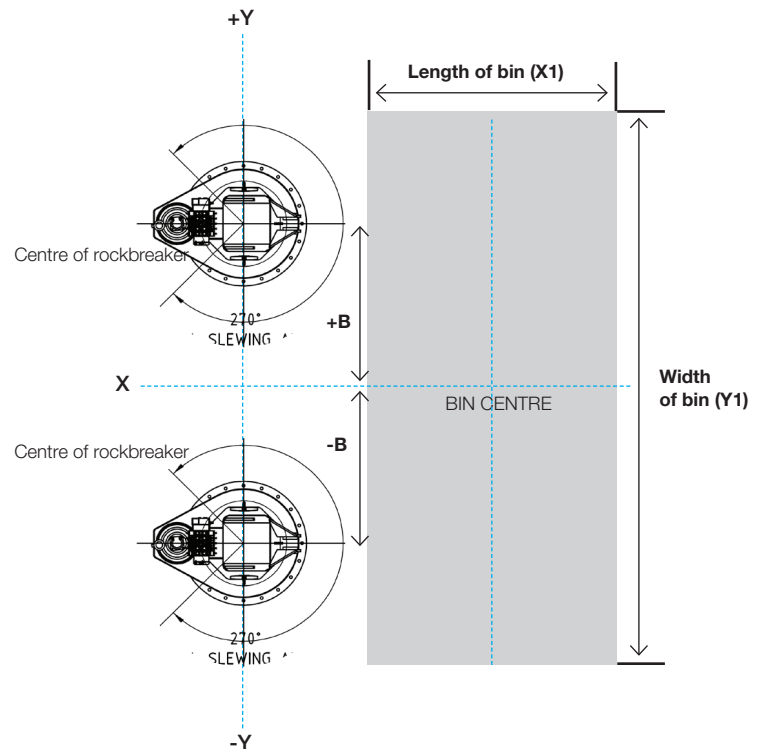
Plan View - Rockbreaker in Centre



Side View



Plan View - Rockbreaker Centre Offset



HEAD OFFICE

Western Australia

Local Call: 1300 127 091

International Call: +61 (0) 8 9270 8555

Email: wasales@transmin.com.au

Address: 33-37 Denninup Way Malaga
Perth, Western Australia, 6090

Queensland & Northern Territory

Local Call: 1300 800 609

International Call: +61 (0) 8 9270 8555

Email: qldsales@transmin.com.au

INTERNATIONAL OFFICES

South America Email: sales.sa@transmin.com.au

North America Email: sales.ca@transmin.com.au

India Email: sales.in@transmin.in