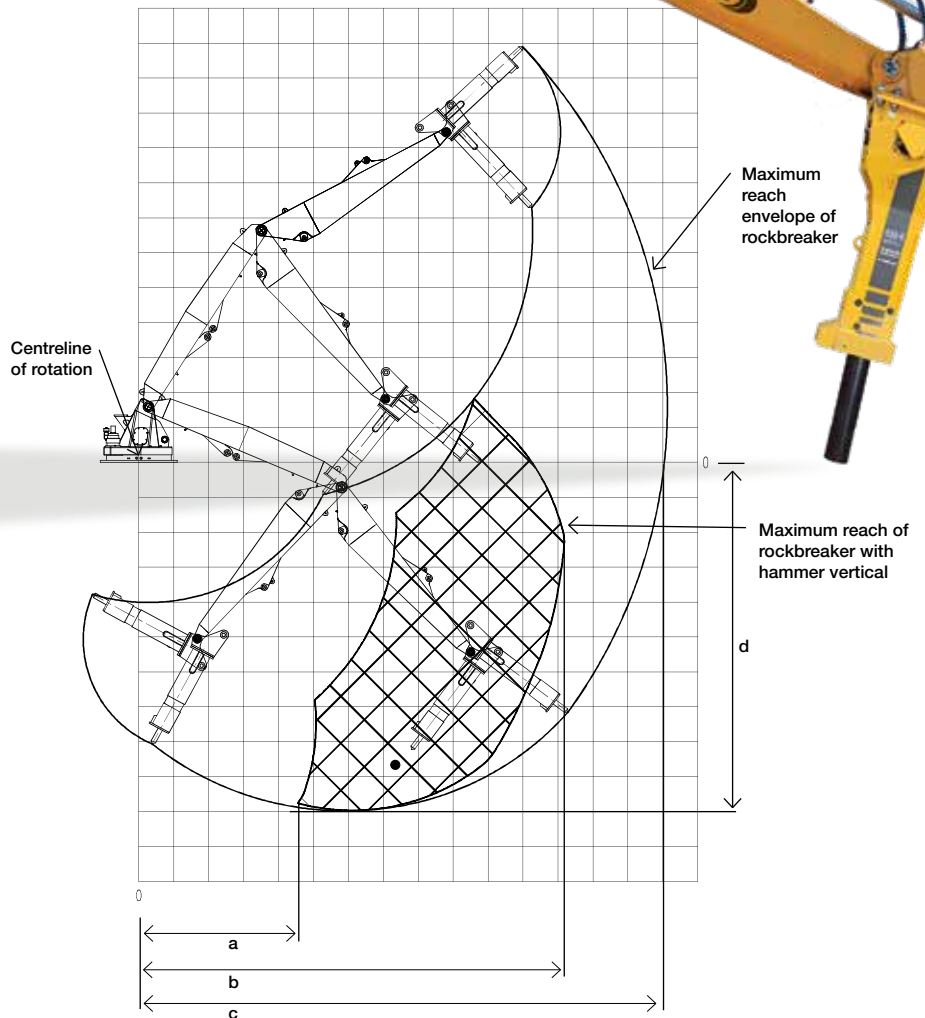
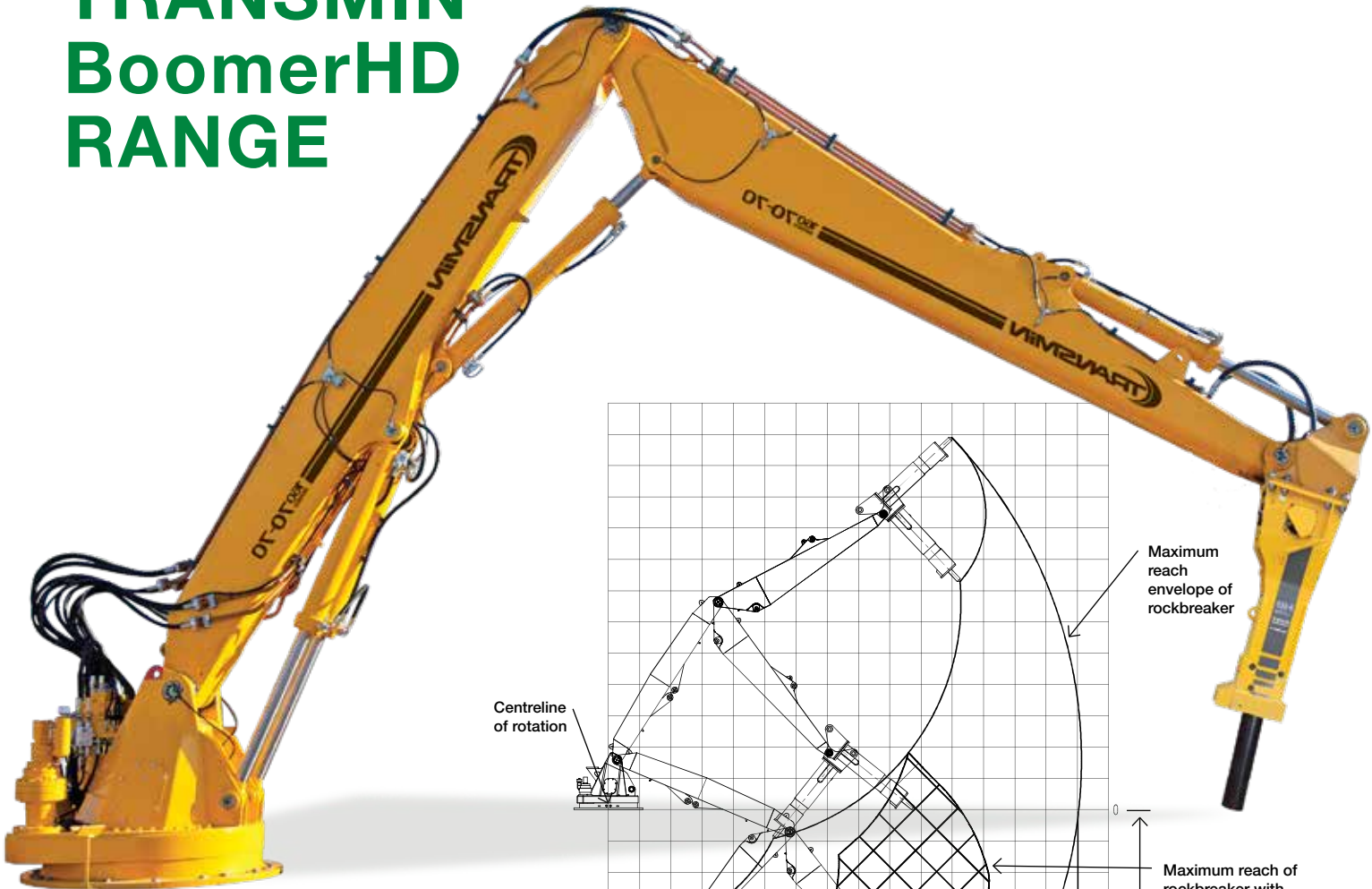


160 Series

TRANSMIN BoomerHD RANGE



BOOMERHD 160 SERIES

Vertical Reach*	up to 11.8m
Horizontal Reach	up to 17.5m
Rock UCS	160~320MPa Plus

* Hammer orientation vertical

MODELS

	60-60	70-70
Horizontal reach from C/L of mount with hammer vertical (b)*	13.1m	15.1m
Maximum horizontal reach with hammer extended (c)	15.1m	17.5m
Vertical reach below base RL (d)*	9.9m	11.8m

SLEW

Rotation angle	270° max 240° recommended
Method	Slew bearing with integral external gear
Drive type	Twin hydraulically driven gearboxes
Torque	287 kNm

CONSTRUCTION

Slew frame	High tensile steel
Boom	High tensile steel
Jib	High tensile steel
Hammer bracket	High tensile steel
Pivot pins & bushes	Harden and tempered high tensile steel

GREASING

Type	Manual
Boom	Grease nipples on pivot pins, cylinder pins, slew components
Hammer	OEM Cartridge system

FASTENERS

General	Metric grade 8.8 minimum, zinc plated (except for proprietary components)
---------	---

HYDRAULICS

Control valve	Radio activated proportional control with load sensing
Solenoids	24 VDC
Boom max pressure	330 bar relief valve protection in control valve
Hammer max pressure	200 bar relief valve protection in control valve
Cylinders	Transmin heavy duty design and manufacture with cushions, spherical bearings and chrome plated cylinder rods

	Bore Dia	Rod Dia	Stroke
Boom 1 off	180mm	125mm	1350mm
Jib 1 off	180mm	125mm	1600mm
Hammer 1 off	180mm	125mm	1080mm

Pressure pipes	Seamless carbon steel to ASTM A53/ASTM A106/API 5L
Pressure hoses	To SAE100 R12 & R13 as applicable
Fittings	SAE code 61 and code 62, JIC as applicable

OPTIONS

Installation hoses	5.5m hose kit for construction to site run piping
Isolation valves	Interconnection between site run piping and rockbreaker hoses
Hose support stand and bunch binder	Ensures hosing connected at the rockbreaker base is adequately restrained
Boom locking kit	Burst hose protection on boom and jib cylinders
Soft slew limiting	Limits slew travel to reduce equipment interaction
HVOF cylinder rod coating	Prolongued cylinder life
Radio controller fixed stand	Permanent mounting for radio controller including permanent power and cable options
Automatic greasing	8L capacity grease unit mounted on HPU
Automation ready kit	RockLogic™ readiness - simple upgrade path

All products, specifications and data are subject to change without notice to improve reliability, function, design or otherwise. Information contained herein is for planning purposes only. Please contact Transmin for application specific or certified design data.

HEAD OFFICE Western Australia

Local Call: 1300 127 091

International Call: +61 (0) 8 9270 8555

Email: wasales@transmin.com.au

Address: 33-37 Denninup Way Malaga
Perth, Western Australia, 6090

Queensland & Northern Territory

Local Call: 1300 800 609

International Call: +61 (0) 7 3736 3340

Email: qldsales@transmin.com.au

Address: 76 Dulacca Street
Acacia Ridge, Brisbane
Queensland, 4110

INTERNATIONAL OFFICES South America

Email: sales.sa@transmin.com.au

North America

Email: sales.ca@transmin.com.au

India

Email: sales.in@transmin.in