

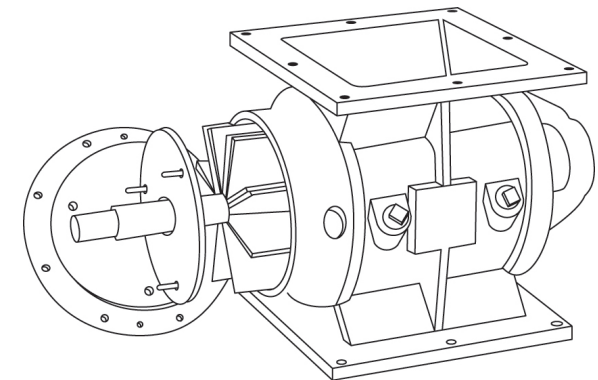
Name:  Company:  Site:  Email:

Phone:

# ROTARY VALVE APPLICATION QUESTIONNAIRE

Please complete this enquiry form so that your requirements can be fully evaluated.

Quantity required:				
Product to be handled:				
Product characteristics:				
Average bulk density (kg/m <sup>3</sup> ):				
Particle size (mm):	Maximum	Minimum	Majority between	and
Angle of repose (°):	Moisture content (% w/w):			
Is the product (✓):	Hygroscopic	Abrasive	Corrosive	Free flowing
	Cohesive	Toxic	Explosive	Friable
	Sticky			
Product temperature (°C):	Maximum	Minimum		
Climatic conditions:	Indoor	Outdoor	Ambient temp:	
Throughput required (kg/hr):	Or throughput required (m <sup>3</sup> /hr):			
Equipment above the valve:				
Equipment below the valve:				
Is the valve required to discharge into a pneumatic conveying pipe line (✓):			Yes	No
Preferred materials of construction:				
Rotor (e.g. carbon steel, stainless steel):				
Housing (e.g. cast iron, stainless steel, aluminium, ductile iron (S.G)):				
Rotor blades (e.g. hardened steel, stainless steel, polyurethane tipped):				
Flanges (✓):	BS4504 PN10 (Din 2501 PN10)	Square	Round	
	ANSI B16.5-150	AS2129 Table 'D'		
Electrical:	Power supply:	V:	Ph:	Hz:
Ingress protection:	RotaVal minimum standard IP55		Other, specify:	
Hazardous area rating required:	Yes		No	
Any other requirements (✓):	Rotation indication	Underspeed proximity switch	Other, specify:	



## Special Comments